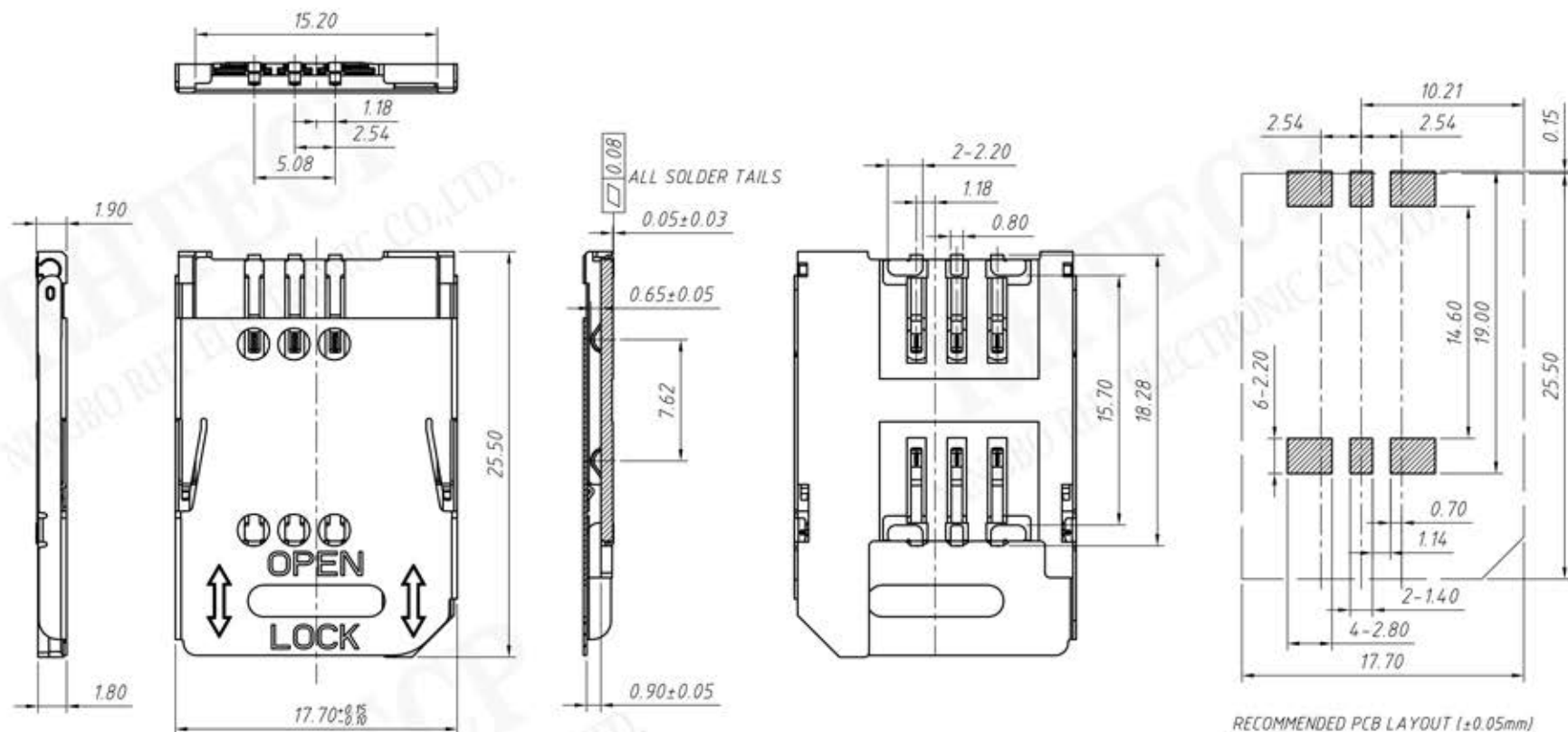
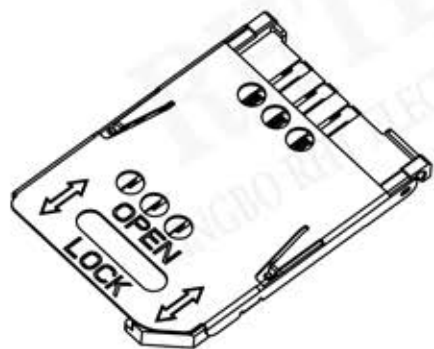


P/N: RE-C-SIM-019



RECOMMENDED PCB LAYOUT ($\pm 0.05\text{mm}$)



Material:
 Housing: LCP, UL 94V-0, Black.
 Terminal: CS210R-EH T=0.15mm
 Shell: SUS304R-1/2H, T=0.20mm

UNITS:mm	SHEET SIZE:A4		SCALE: ---
> 0~3	> 3~18	> 18~50	> 50~120
± 0.12	± 0.15	± 0.3	± 0.5